



INSTALLATION INSTRUCTIONS

ACCESSIBLE SERIES — SURFACE MOUNTED | ADJUSTABLE TILT

Product Information

Accessible Mirror Features:

- Full Length Piano Hinge
- Adjustable Tilt
- Stainless Steel Channel Framed Mirror



** Professional Installation is recommended to insure proper installation.

** Please do not stand your mirror on end while unboxing. Lie the wall mirror down mirror side up prior to installation. Set on a clean surface, like a towel or carpet to avoid damage.

** Prior to discarding the packaging, locate hardware and screws where applicable.

Installation Steps

1. For secure application, locate the studs within the wall to mount the cabinet properly. If you cannot locate the studs, you will need to purchase additional hardware to secure your cabinet to the wall and/or open the wall to install additional bracing.
2. For plaster or drywall construction, provide backing in wall to comply with local building codes, then secure the wall bracket with screws through mounting holes in concealed wall hanger. For other wall surfaces, provide fiber plugs or expansions shields for use with screws, or provide 1/8" (3mm) toggle bolts or expansion bolts.

NOTICE:

-
1. Do not install mirror with damaged or broken glass. Contact the point of sale for further instructions on replacements.
 2. The installation instructions provided are for typical drywall/wood stud type walls. Additional hardware may/will be required for different wall types. Always make sure you adequately brace the mirror for secure installation. Do not screw directly into drywall without proper bracing.
-

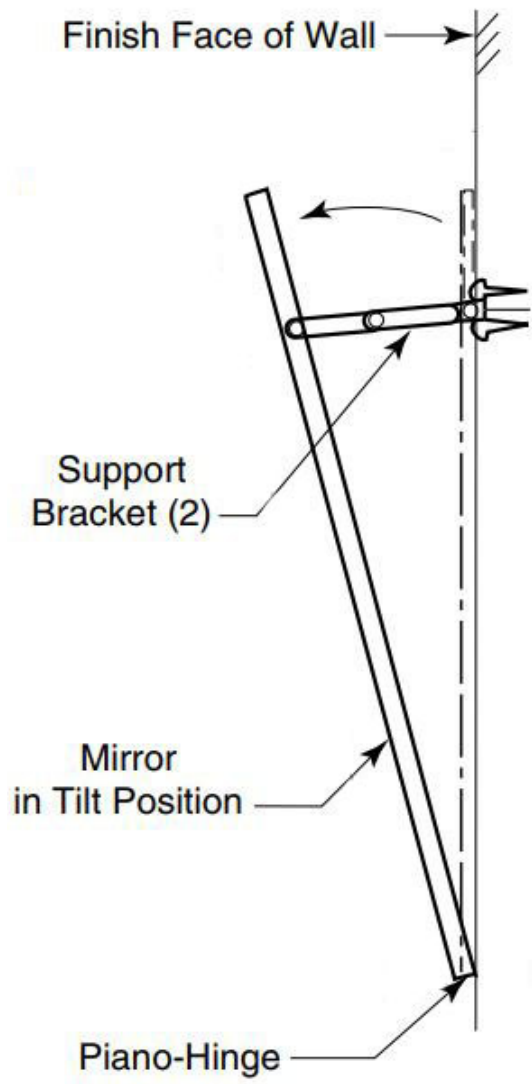


Fig. 1